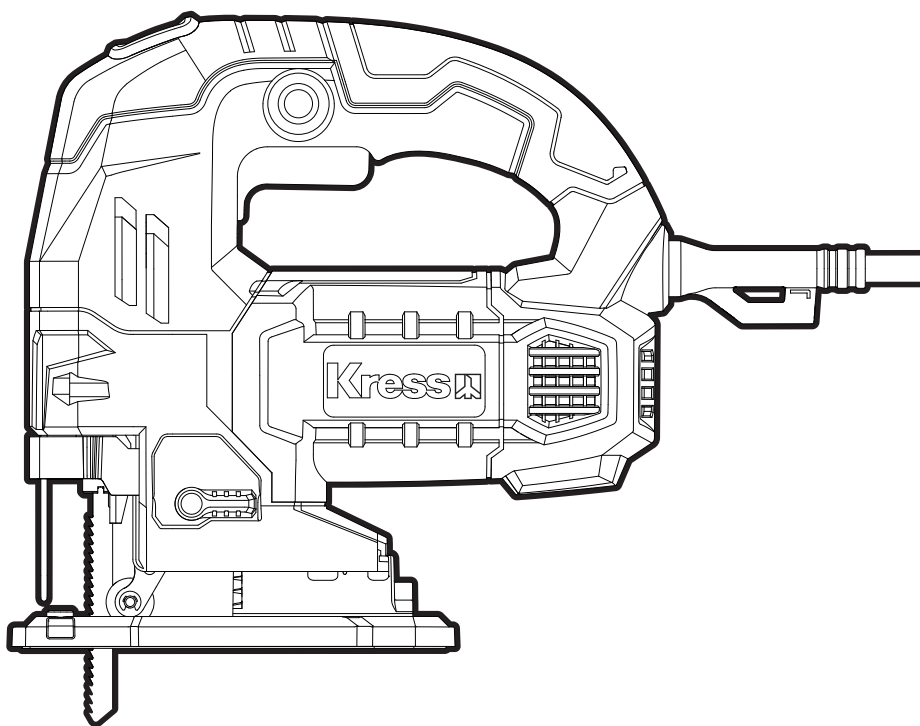


Kress



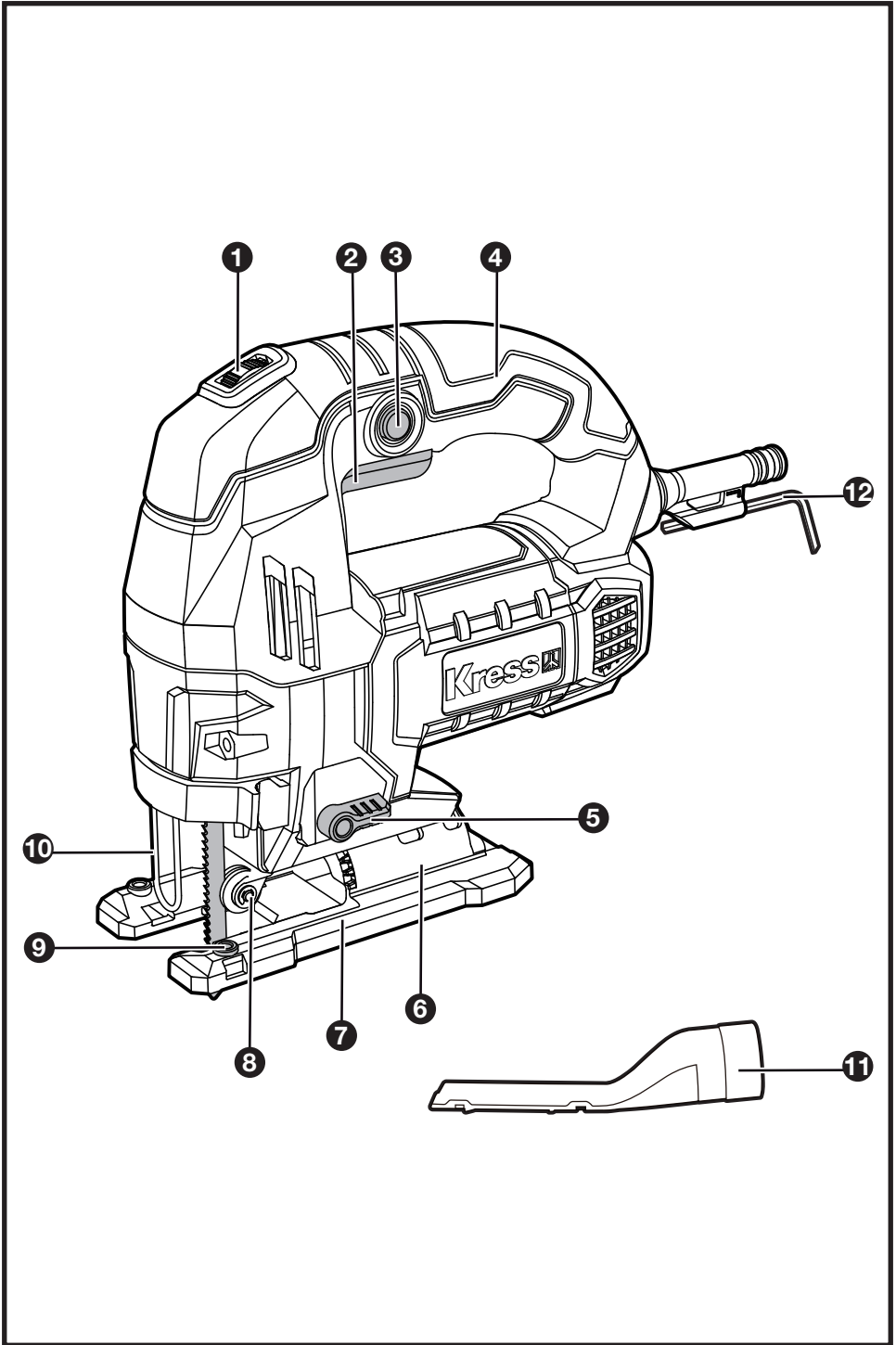
Jig saw

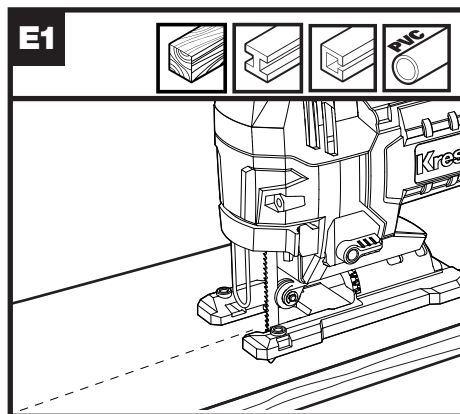
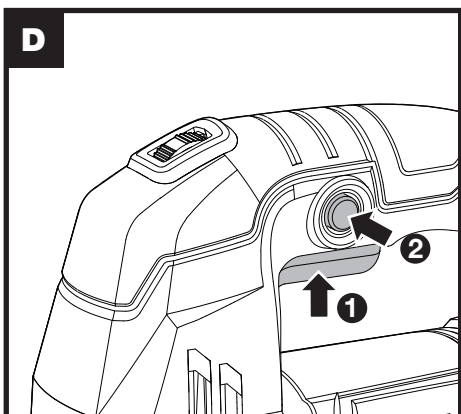
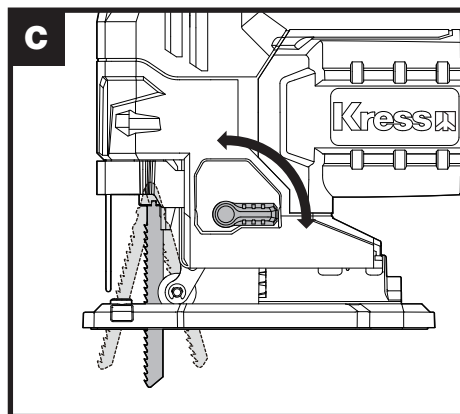
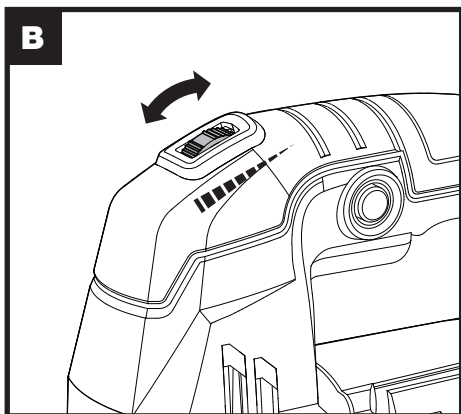
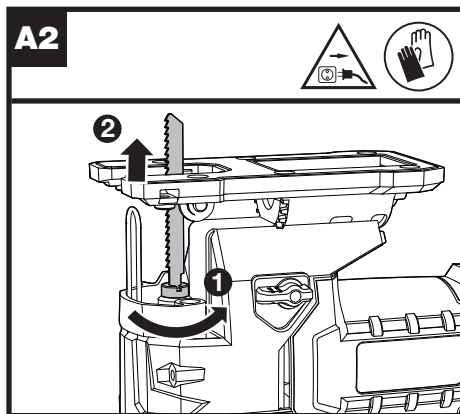
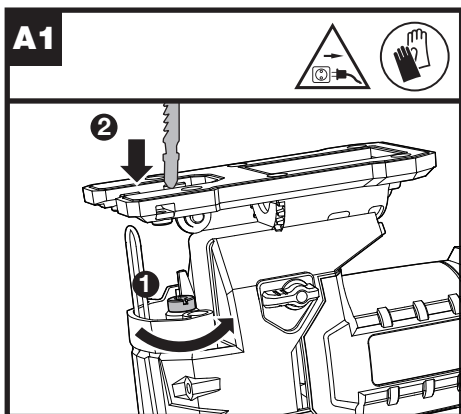
EN P02

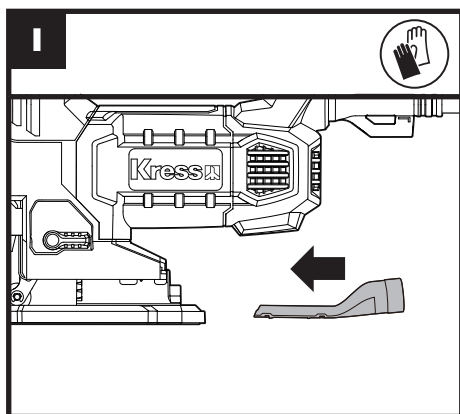
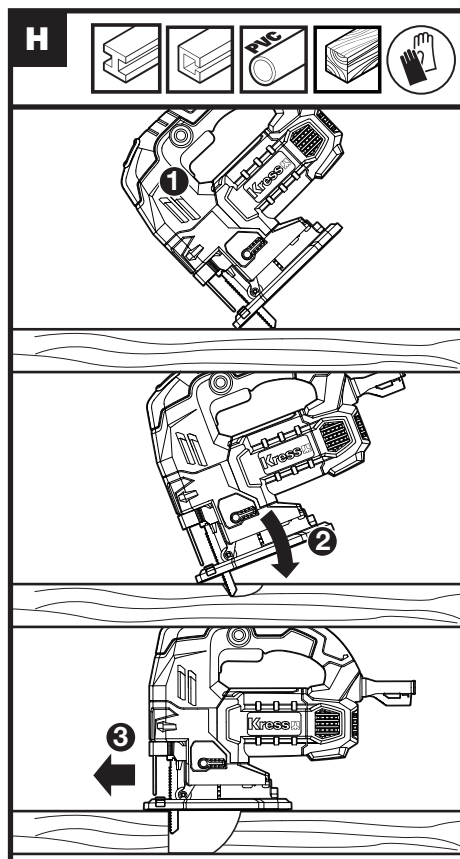
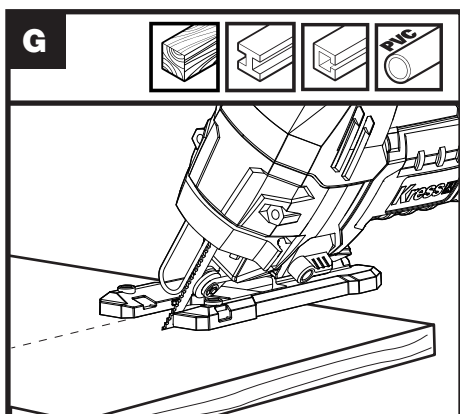
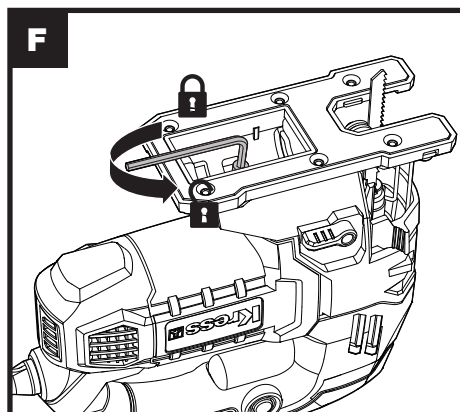
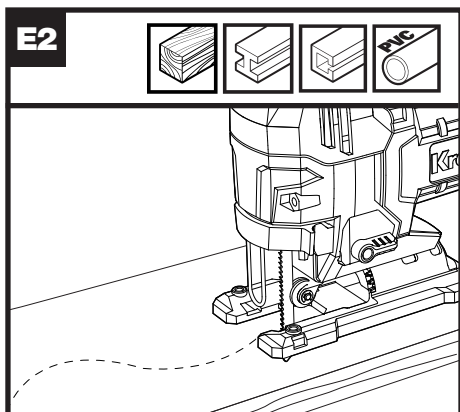
Лобзик электрический

RU P10

KU462







PRODUCT SAFETY

GENERAL POWER TOOL

SAFETY WARNINGS

 **WARNING** Read all safety warnings, instructions, illustrations and specifications provided with this power tool.

Failure to follow all instructions listed below may result in electric shock, fire and/or serious injury. **Save all warnings and instructions for future reference.**

The term "power tool" in the warnings refers to your mains-operated (corded) power tool or battery-operated (cordless) power tool.

1) Work area safety

- a) **Keep work area clean and well lit.** Cluttered or dark areas invite accidents.
- b) **Do not operate power tools in explosive atmospheres, such as in the presence of flammable liquids, gases or dust.** Power tools create sparks which may ignite the dust or fumes.
- c) **Keep children and bystanders away while operating a power tool.** Distractions can cause you to lose control.

2) Electrical safety

- a) **Power tool plugs must match the outlet. Never modify the plug in any way. Do not use any adapter plugs with earthed (grounded) power tools.** Unmodified plugs and matching outlets will reduce risk of electric shock.
- b) **Avoid body contact with earthed or grounded surfaces, such as pipes, radiators, ranges and refrigerators.** There is an increased risk of electric shock if your body is earthed or grounded.
- c) **Do not expose power tools to rain or wet conditions.** Water entering a power tool will increase the risk of electric shock.
- d) **Do not abuse the cord. Never use the cord for carrying, pulling or unplugging the power tool. Keep cord away from heat, oil, sharp edges or moving parts.** Damaged or entangled cords increase the risk of electric shock.
- e) **When operating a power tool outdoors, use an extension cord suitable for outdoor use.** Use of a cord suitable for outdoor use reduces the risk of electric shock.
- f) **If operating a power tool in a damp location is unavoidable, use a residual current**

device (RCD) protected supply. Use of an RCD reduces the risk of electric shock.

3) Personal safety

- a) **Stay alert, watch what you are doing and use common sense when operating a power tool. Do not use a power tool while you are tired or under the influence of drugs, alcohol or medication.** A moment of inattention while operating power tools may result in serious personal injury.
 - b) **Use personal protective equipment. Always wear eye protection.** Protective equipment such as dust mask, non-skid safety shoes, hard hat, or hearing protection used for appropriate conditions will reduce personal injuries.
 - c) **Prevent unintentional starting. Ensure the switch is in the off-position before connecting to power source and/or battery pack, picking up or carrying the tool.** Carrying power tools with your finger on the switch or energising power tools that have the switch on invites accidents.
 - d) **Remove any adjusting key or wrench before turning the power tool on.** A wrench or a key left attached to a rotating part of the power tool may result in personal injury.
 - e) **Do not overreach. Keep proper footing and balance at all times.** This enables better control of the power tool in unexpected situations.
 - f) **Dress properly. Do not wear loose clothing or jewellery. Keep your hair and clothing away from moving parts.** Loose clothes, jewellery or long hair can be caught in moving parts.
 - g) **If devices are provided for the connection of dust extraction and collection facilities, ensure these are connected and properly used.** Use of dust collection can reduce dust-related hazards.
 - h) **Do not let familiarity gained from frequent use of tools allow you to become complacent and ignore tool safety principles.** A careless action can cause severe injury within a fraction of a second.
- #### 4) Power tool use and care
- a) **Do not force the power tool. Use the correct power tool for your application.** The correct power tool will do the job better and safer at the rate for which it was designed.
 - b) **Do not use the power tool if the switch does not turn it on and off.** Any power tool

that cannot be controlled with the switch is dangerous and must be repaired.

c) Disconnect the plug from the power source and/or remove the battery pack, if detachable, from the power tool before making any adjustments, changing accessories, or storing power tools. Such preventive safety measures reduce the risk of starting the power tool accidentally.

d) Store idle power tools out of the reach of children and do not allow persons unfamiliar with the power tool or these instructions to operate the power tool.

Power tools are dangerous in the hands of untrained users.

e) Maintain power tools and accessories. Check for misalignment or binding of moving parts, breakage of parts and any other condition that may affect the power tool's operation. If damaged, have the power tool repaired before use. Many accidents are caused by poorly maintained power tools.

f) Keep cutting tools sharp and clean. Properly maintained cutting tools with sharp cutting edges are less likely to bind and are easier to control.

g) Use the power tool, accessories and tool bits etc. in accordance with these instructions, taking into account the working conditions and the work to be performed. Use of the power tool for operations different from those intended could result in a hazardous situation.

h) Keep handles and grasping surfaces dry, clean and free from oil and grease. Slippery handles and grasping surfaces do not allow for safe handling and control of the tool in unexpected situations.

5) Service

a) Have your power tool serviced by a qualified repair person using only identical replacement parts. This will ensure that the safety of the power tool is maintained.

JIG SAW SAFETY WARNINGS

1. Hold jig saw by insulated gripping surfaces, when performing an operation where the cutting accessory may contact hidden wiring or its own cord. Cutting accessory contacting a "live" wire may make exposed metal parts of the power tool "live"

and could give the operator an electric shock.

2. Use clamps or another practical way to secure and support the workpiece to a stable platform. Holding the workpiece by hand or against your body leaves it unstable and may lead to loss of control.

SYMBOLS

	To reduce the risk of injury, user must read instruction manual
	Double insulation
	Warning
	Wear ear protection
	Wear eye protection
	Wear dust mask
	Remove the power plug from the socket before performing any operation on the machine.
	Wear protective gloves
	Wood
	Aluminium
	Metal
	Plastic
	Lock




Unlock

COMPONENT LIST

1. **SPEED ADJUSTING KNOB**
2. **SWITCH TRIGGER**
3. **SELF-LOCKING KNOB**
4. **SOFT GRIP HANDLE**
5. **PENDULUM ACTION CONTROL LEVER**
6. **ANGLE PLATE**
7. **BASE PLATE**
8. **ROLLER GUIDE**
9. **THE MOUNTING HOLE FOR PARALLEL RULE**
10. **SAFETY WIRE**
11. **DUST SUCTION PIPE**
12. **HEX KEY**

Not all the accessories illustrated or described are included in standard delivery.

TECHNICAL DATA

		KU462
Rated Voltage		220V-50Hz
Rated power		650W
Rated No-load speed		1000-3000/min
Miter saw angle		±45°
Protection Class		 /11
Cutting depth	Wood	85mm
	Aluminum	20mm
	Steel	10mm
Weight		2.6kg

ACCESSORIES

Hex key	1
Saw blade	3
Dust suction pipe	1

We recommend that you purchase your accessories from the same store that sold you the tool. Refer to the accessory packaging for further details. Store personnel can assist you and offer advice.

OPERATING INSTRUCTIONS



NOTE: Before using the tool, read the instruction book carefully.

INTENDED USE

This machine can be used for cutting wood, plastic, metal and building materials when it is fixed to the workpiece. This machine is suitable for straight and curved cutting, with a bevel angle of 45 degree. Please use the saw blade recommended by our company.

INSTALLATION

Install the saw blade (see Fig. A1)



Caution:

- Remove all debris and foreign objects attached to the saw blade and/or blade holder. Otherwise, the saw blade may not be fastened enough, which may cause serious personal injury.

- Do not touch the saw blade or workpiece immediately after operation, because they may be very hot and cause skin burns.

- Be sure to tighten the saw blade before cleaning. Otherwise, it may cause serious personal injury.

- Be careful not to touch the blade edge or the sharp end of the workpiece with your fingers when taking out the saw blade, in order to avoid injury.

Make sure that the saw blade holder is in the released position before installing the saw blade.

When installing the saw blade, insert the saw blade into the saw blade holder (with the blade facing forward) until it is locked. The saw blade can be directly moved to a fixed position by itself, thus locking the saw blade. Pull the saw blade gently to ensure that it does not fall during operation.

Note: Make sure that the saw blade is installed in place. The indicator line on the saw blade needs to be completely inserted into the quick chuck of saw blade.

Remove the saw blade (see Fig. A2)

Note: Hold the saw blade with one hand when removing the saw blade.

Operation

Adjust the speed (see Fig. B)

Speed adjusting knob (speed adjusting dial)

The tool speed can be adjusted by turning the speed adjusting dial.

Gear position: 1-6	Speed: Slow -Fast
gear 1-4	Suitable for cutting plastic
gear 2-3	Suitable for cutting aluminum

gear 3-4	Suitable for cutting stainless steel
gear 3-6	Suitable for cutting steel plate
gear 5-6	Suitable for cutting wood

Tool lift function (for switching the cutting operation) (see Fig. C)

This tool can be used for the cutting operations that are performed along track or in straight line (up and down). The saw blade pierces into the workpiece forward in the cutting stroke when the cutting operation is performed along the track, which greatly increases the cutting speed.

Only turn the tool lift control knob to the position of the desired cutting operation in order to change the cutting operation.

Refer to the following table to select the correct cutting operation.

Position	Cutting operation	Suitable material
0	Cutting in straight line	For cutting the mild steel/stainless steel/ plastic/wood/density board.
I	Cutting in small curve line	For cutting the mild steel/aluminum/hard wood.
II	Cutting in medium curve line	For cutting the mild steel/stainless steel/ wood/density board.
III	Cutting in large curve line	For cutting the wood and density board quickly.

Turn on/off (see Fig. D)

Continuous operation (see Fig. D):

Press the switch trigger to the end and then press the self-locking knob. The machine can be started all the time when the switch trigger is in the state of Lock on at this time. If you need to stop the machine, press the switch trigger again.

Straight cutting and curve cutting (see Fig. E1, E2)

Bevel cutting (see Fig. F, G)

Note: Please remove the dust suction pipe before adjusting the base plate.

You can make bevel cutting at any angle between 0° and 45° (on the left or right) after the base is tilted.

If you want to tilt the base, loosen the bolts on the back of the base with a hex wrench, and move the base until the bolts are in the center of the chute on the base.

Note: The V-shaped groove on the gearbox is marked with a scale, which can measure the angle of bevel cutting. The base plate can be rotated to the required position according to the scale. Then tighten the bolts for the base. Make sure that the saw blade is fixed between the guide wheels.

Insertion cutting (see Fig. H)

Lift the rear end of the base, and place the tip of the saw blade located at the front end of the base above the workpiece surface.

Hold the tool firmly to ensure that the front end of the base does not move when you start the tool and slowly lower the rear end of the tool.

Slowly lower the tool base, and place the base on the workpiece surface after the saw blade passes through the workpiece.

Then the whole cutting process is finished in a standard method.

Install the dust suction pipe (see Fig. I)

Note: Insert the adapter pipe of dust suction pipe into the hole on the base.

MAINTENANCE

Remove the plug from the socket before carrying out any adjustment, servicing or maintenance.

Your power tool requires no additional lubrication or maintenance.

There are no user serviceable parts in your power tool. Never use water or chemical cleaners to clean your power tool. Wipe clean with a dry cloth. Always store your power tool in a dry place. Keep the motor ventilation slots clean. Keep all working controls free of dust. Occasionally you may see sparks through the ventilation slots. This is normal and will not damage your power tool.

If the supply cord is damaged, it must be replaced by the manufacturer, its service agent or similarly qualified persons in order to avoid a hazard.

ENVIRONMENTAL PROTECTION



Disposal

The machine, its accessories and packaging materials should be sorted for environmentally friendly recycling. The plastic components are labeled for

categorized recycling.

TROUBLESHOOTING

Phenomenon	Causes	Solutions
The machine does not operate after power-on.	<ul style="list-style-type: none"> • Power cord not plugged in 	<ul style="list-style-type: none"> • Check if the power cord is correctly connected to the work socket.
Poor cutting quality	<ul style="list-style-type: none"> • The saw blade is worn out • The saw blade is not correctly assembled • The pushing speed is too high 	<ul style="list-style-type: none"> • Ensure that the saw blade is sharp and undamaged • Ensure that the saw blade is installed correctly. • Slowly push the machine
Low work efficiency	<ul style="list-style-type: none"> • The saw blade is worn out • Incorrect speed setting • Incorrect setting for tool lift function 	<ul style="list-style-type: none"> • Replace with a new saw blade • Adjust the speed knob according to the material • Adjust the tool lift function according to the material
The saw blade is not clamped by the chuck	<ul style="list-style-type: none"> • The saw blade is not fully inserted in place 	Remove the saw blade and reinstall it correctly

БЕЗОПАСНОСТЬ ИЗДЕЛИЯ

ОБЩИЕ ПРЕДОСТЕРЕЖЕНИЯ

ПО ТЕХНИКЕ БЕЗОПАСНОСТИ

ПРИ РАБОТЕ С

ЭЛЕКТРОИНСТРУМЕНТОМ



ПРЕДОСТЕРЕЖЕНИЕ! Внимательно ознакомьтесь со всеми инструкциями и предостережениям по технике безопасности. Невыполнение всех нижеприведенных инструкций и рекомендаций может привести к поражению электрическим током, пожару и/или серьезным травмам.

СОХРАНИТЕ ВСЕ ИНСТРУКЦИИ И ПРЕДОСТЕРЕЖЕНИЯ ДЛЯ ДАЛЬНЕЙШЕГО ИСПОЛЬЗОВАНИЯ.

Термин “электроинструмент” в предупреждениях относится к вашему электроинструменту с питанием от сети (шнур) или к электроинструменту с батарейным питанием (беспроводной).

1) Безопасность рабочей зоны

a) Держите рабочую зону чистой и хорошо освещенной. Загроможденные или затемненные зоны предрасполагают к несчастным случаям.

b) Не используйте электроинструменты во взрывоопасных средах, например, в присутствии легковоспламеняющихся жидкостей, газов или пыли.

Электроинструменты создают искры, которые могут воспламенить пыль или пары.

c) Держите детей и прохожих в стороне во время работы с электроинструментом.

Отвлекающие факторы могут привести к потере контроля над инструментом.

2) Электробезопасность

a) Вилки с электроинструментом должны соответствовать розетке. Никогда не изменяйте штепсель каким-либо образом. Запрещается использовать любые переходники с заземленными электроинструментами.

Не модифицированные вилки и соответствующие розетки уменьшают риск поражения электрическим током.

b) Избегайте контакта тела с заземленными поверхностями, такими как трубы, радиаторы, плиты и холодильники.

Существует повышенный риск поражения

электрическим током, если ваше тело заземлено.

c) Не подвергайте электроинструмент воздействию дождя или влажности. Вода, попадающая в электроинструмент, повысит риск поражения электрическим током.

d) Запрещается применять шнур не по назначению. Никогда не используйте шнур для переноски, вытягивания или отсоединения электроинструмента. Держите шнур вдали от тепла, масла, острых краев или движущихся частей.

Поврежденные или запутанные шнуры повышают риск поражения электрическим током.

e) При работе с электроинструментом на открытом воздухе используйте удлинитель, предназначенный для использования на открытом воздухе.

Использование шнура, подходящего для использования на открытом воздухе, снижает риск поражения электрическим током.

f) Если работа электроинструмента во влажном месте неизбежна, используйте устройство защитного отключения.

Использование УЗО снижает риск поражения электрическим током.

3) Личная безопасность

a) Будьте внимательны, следите за тем, что вы делаете, и пользуйтесь здравым смыслом при работе с электроинструментом. Не используйте электроинструмент во время усталости или под воздействием наркотиков, алкоголя или медикаментов.

Невнимательность при работе электроинструмента может привести к серьезной травме.

b) Используйте средства индивидуальной защиты. Всегда надевайте защитные очки. Защитное оборудование, такое как пылезащитная маска, нескользящая защитная обувь, каски или защита слуха, используемые для соответствующих условий, уменьшат риск возникновения травмы.

c) Предотвращение непреднамеренного запуска. Перед подключением к источнику питания и / или батарейному блоку убедитесь, что переключатель находится в положении “выключено”.

Перенос электроинструментов с пальцем на выключателе или зарядка включенных электроинструментов приводит к несчастным случаям.

d) Перед включением электроинструмента уберите любые посторонние гаечные ключи. Ключ, прикрепленный к вращающейся части электроинструмента, может стать причиной травмы.

e) Не наклоняйтесь. Постоянно сохраняйте равновесие. Это позволяет лучше контролировать электроинструмент в неожиданных ситуациях.

f) Одевайтесь должным образом. Не надевайте свободную одежду или украшения. Держите волосы, одежду и перчатки вдали от движущихся частей. Свободная одежда, ювелирные изделия или длинные волосы могут быть зацеплены движущимися частями.

g) Если устройства оборудованы соединением для удаления пыли и подключения коллекторов, убедитесь, что такое оборудование подключено и используется должным образом. Использование пылеулавливателей может уменьшить опасность, связанную с пылью.

h) Не позволяйте осведомленности, полученной в результате частого использования инструментов, заставить вас расслабиться и игнорировать принципы техники безопасности при работе с инструментом. Неосторожное действие может привести к серьезным травмам в течение доли секунды.

4) Использование электроинструмента и уход за ним

a) Запрещается избыточно загружать электроинструмент. Используйте подходящий электроинструмент для вашей работы. Правильно подобранный электроинструмент сделает работу, для которой он был разработан, лучше и безопаснее.

b) Не используйте электроинструмент, если выключатель не работает. Любой электроинструмент, который не может управляться с помощью переключателя, опасен и должен быть отремонтирован.

c) Перед выполнением любых регулировок, заменой принадлежностей или хранением электроинструмента отсоедините штекер от источника питания и / или аккумуляторной батареи от электроинструмента. Такие предупредительные меры безопасности уменьшают риск случайного запуска

электроинструмента.

d) Храните электроинструменты в недоступном для детей месте и не позволяйте лицам, незнакомым с электроинструментом или с этой инструкцией, работать с ним. Инструменты опасны в руках необученных пользователей.

e) Обслуживайте электроинструменты. Проверьте несоосность движущихся частей, полумку деталей и любые другие состояния, которые могут повлиять на работу электроинструмента. В случае повреждения отремонтируйте электроинструмент перед использованием. Многие несчастные случаи связаны с плохим обслуживанием электроинструментов.

f) Поддерживайте заточку и чистоту режущих инструментов. Правильно обслуживаемые режущие инструменты с острыми режущими кромками легче контролировать, и снижается вероятность их деформации.

g) Используйте электроинструмент, принадлежности и т. д. в соответствии с этими инструкциями, с учетом условий выполняемой работы. Использование электроинструмента для операций, отличающихся от предназначенного использования, может привести к опасной ситуации.

h) Ручки и поверхности для захвата должны быть сухими, чистыми и без следов масла и смазки. Скользкие ручки и поверхности для захвата не позволяют безопасно обращаться с инструментом и контролировать его в непредвиденных ситуациях.

5) Обслуживание

- а) Обслуживайте свой инструмент только с помощью квалифицированного специалиста по ремонту, используя только идентичные запасные части.**



Это обеспечит поддержание безопасности электроинструмента.

ИНСТРУКЦИИ ПО БЕЗОПАСНОСТИ ДЛЯ ЛОБЗИКОВ

- 1. Удерживайте лобзик за изолированные хватные поверхности, когда выполняете операцию, при которой режущий аксессуар может входить в контакт со скрытой проводкой.**

Контакт с проводом под напряжением приведет к тому, что металлические части электроинструмента также будут проводить ток, что может стать причиной удара электротоком оператора.

- 2. Используйте зажимы или другой практичный способ фиксации и удержания обрабатываемого предмета на устойчивой опоре.** Удержание обрабатываемого предмета в руке или с помощью своего тела ведет к его неустойчивости и может привести к потере контроля.

	Наденьте пылезащитную маску
	Перед выполнением любых работ на самом инструменте отключите сетевой штекер из силовой розетки.
	Носите защитные перчатки
	Дерево
	Алюминий
	Металл
	Пластмасса
	Заблокировано
	Разблокировано

УСЛОВНЫЕ ОБОЗНАЧЕНИЯ

	Чтобы уменьшить риск травм, пользователь должен прочитать руководство по эксплуатации
	Двойная изоляция
	Предостережение
	Наденьте защиту для слуха
	Наденьте защиту для глаз

ПЕРЕЧЕНЬ КОМПОНЕНТОВ

1.	УПРАВЛЕНИЕ ПЕРЕМЕННОЙ СКОРОСТЬЮ
2.	ПЕРЕКЛЮЧАТЕЛЬ ВКЛ./ВЫКЛ.
3.	ПЕРЕКЛЮЧАТЕЛЬ БЛОКИРОВКИ
4.	РУКОЯТКА С МЯГКОЙ НАКЛАДКОЙ
5.	УПРАВЛЕНИЕ МЯТНИКОВОЙ ФУНКЦИЕЙ
6.	УГЛОВАЯ ПЛАСТИНА
7.	ПЛИТА ОСНОВАНИЯ
8.	РОЛИКОВАЯ НАПРАВЛЯЮЩАЯ
9.	КРЕПЛЕНИЕ ПАРАЛЛЕЛЬНОЙ НАПРАВЛЯЮЩЕЙ
10.	ПАЛЬЧИКОВАЯ ПРЕДОХРАНИТЕЛЬНАЯ НАПРАВЛЯЮЩАЯ
11.	ВАКУУМНЫЙ ПЕРЕХОДНИК
12.	ШЕСТИГРАННЫЙ ГАЕЧНЫЙ КЛЮЧ

* Не все показанные или описанные аксессуары включены в стандартный комплект.

ТЕХНИЧЕСКИЕ ДАННЫЕ

		KU462
Номинальное напряжение		220В ~ 50 Гц
Номинальная мощность		650W
Скорость без нагрузки (номинальная)		1000-3000/ мин.
Угол наклона		±45°
Класс защиты		□ / II
Максимальная глубина пропила	Дерево	85 мм
	Алюминий	20мм
	Сталь	10 мм
Вес		2,6 кг

АКСЕССУАРЫ

Шестигранный Гаечный Ключ	1
Лезвия	3
Вакуумный Переходник	1

Мы рекомендуем вам приобрести аксессуары в том же магазине, где вам продали инструмент. Для получения дополнительной информации см. упаковку. Сотрудники магазина смогут помочь вам **и-дать**.

ИНСТРУКЦИИ ПО ЭКСПЛУАТАЦИИ



ПРИМЕЧАНИЕ: Перед использованием инструмента внимательно прочитайте инструкцию.

ПРЕДУСМОТРЕННОЕ ИСПОЛЬЗОВАНИЕ

Инструмент предназначен для распилки дерева, пластмассы, металла и строительных материалов, будучи прочно закреплен на обрабатываемом предмете. Подходит для прямых и изогнутых пропилов с углами наклона до 45°. Необходимо соблюдать рекомендации, относящиеся к лезвиям.

СБОРКА

Установка лезвия (См. рис. А1)



ПРИМЕЧАНИЕ:

- Удалите с пыльного полотна и его держателя весь мусор и прилипшие посторонние предметы. В противном случае пыльное полотно может оказаться недостаточно закрепленным, что может привести к серьезной травме.
 - Не прикасайтесь к пыльному полотну или заготовке сразу после окончания работы, так как они могут сильно нагреваться и стать причиной ожогов.
 - Перед очисткой обязательно надежно затяните пыльное полотно. В противном случае это может привести к серьезной травме.
 - При извлечении пыльного полотна соблюдайте осторожность, не касайтесь края полотна или острого конца заготовки пальцами, чтобы избежать травм. Перед установкой пыльного полотна убедитесь, что его держатель находится в разблокированном положении.
- При установке вставьте пыльное полотно в держатель (лезвием вперед) до фиксации. Пыльное полотно может перейти в фиксированное положение самостоятельно, то есть оно будет зафиксировано. Аккуратно потяните пыльное полотно, чтобы оно не выпало во время работы.
- **Примечание:** Убедитесь, что пыльное полотно

установлено на место. Индикаторная линия на пыльном полотне должна быть полностью вставлена в быстрозажимной держатель.

Снимите пыльное полотно (См. рис. А2)

Примечание: Когда снимаете пыльное полотно, обязательно держите его одной рукой.

ЭКСПЛУАТАЦИЯ

Отрегулируйте частоту вращения (См. рис. В)

Круглая регулировочная ручка (диск регулировки скорости)

Скорость инструмента можно регулировать, вращая диск регулировки скорости.

Положение передачи: 1-6	Скорость: Низкая -Высокая
1-4 передачи	Подходит для резки пластика
2-3 передачи	Подходит для резки алюминия
3-4 передачи	Подходит для резки нержавеющей стали
3-6 передачи	Подходит для резки стального листа
5-6 передачи	Подходит для резки дерева

Функция подъема инструмента (для переключения операции отрезания) (См. рис. С)

Этот инструмент можно использовать для отрезания вдоль пропилов или по прямой линии (вверх и вниз). Когда отрезание выполняется вдоль пропила, пыльное полотно врезается в заготовку глубже, что значительно увеличивает скорость работы. При изменении вида операции, переведите регулятор подъема инструмента в нужное положение.

В следующей таблице указаны правильные положения для отрезания.

Положение	Отрезание	Подходящий материал
0	Прямолинейная резка	Для резки мягкой стали/ нержавеющей стали/пластика/ дерева/плотной доски.
I	Резка по небольшой кривой	Для резки мягкой стали/алюминия/ твердой древесины.

II	Резка по средней кривой	Для резки мягкой стали/ нержавеющей стали/дерева/ плотной доски.
III	Резка по большой кривой	Для быстрой резки дерева и плотной доски.

Включение/выключение (См. рис. D)

Непрерывная работа (См. рис. D)

Нажмите курковый выключатель до упора, затем нажмите кнопку самоблокировки. Инструмент может запуститься, если в этот момент курковый выключатель находится в состоянии фиксации. Чтобы остановить инструмент, нажмите на курковый выключатель еще раз.

Прямолинейная резка и криволинейная резка (См. рис. E1.E2)

Резка под углом (См. рис. F.G)

Примечание: Перед регулировкой основания снимите трубку для всасывания пыли.

Скашивание кромки можно выполнять под углом от 0° до 45° (влево или вправо) после наклона основания. Чтобы наклонить основание, ослабьте болты в его задней части с помощью шестигранного ключа и перемещайте основание, пока болты не окажутся в центре желоба на основании.

Примечание: V-образная канавка на редукторе имеет шкалу, по которой можно измерить угол наклона при отрезании. Основание можно повернуть в нужное положение согласно шкале. После этого затяните болты основания. Убедитесь, что пыльное полотно зафиксировано между направляющими колесиками.

Врезное пиление (См. рис. H)

Поднимите заднюю часть основания и поместите над поверхностью заготовки кончик пыльного полотна, расположенный в передней части.

Крепко держите инструмент, чтобы передняя часть основания не двигалась, когда вы запускаете инструмент, и начните медленно опускать заднюю часть основания.

Медленно опустите основание и поместите его на поверхность заготовки после того, как пыльное полотно пройдет через заготовку. После этого процесс резки завершается стандартно.

Установка трубки для всасывания пыли (См. рис. I)

Примечание: Вставьте переходник трубки для всасывания пыли в отверстие в основании.

ТЕХНИЧЕСКОЕ ОБСЛУЖИВАНИЕ

Отсоединяйте шнур от источника питания перед выполнением любых регулировок, ухода или обслуживания.

Инструмент не требует дополнительной смазки или технического обслуживания. В электроинструменте нет частей, обслуживаемых пользователем. Никогда не пользуйтесь водой или химическими чистящими средствами для очистки электроинструмента. Начисто протирайте сухой тканью. Всегда храните электроинструмент в сухом месте. Поддерживайте чистоту вентиляционных отверстий электродвигателя. Не допускайте попадания пыли на все рабочие устройства управления. Иногда вы можете увидеть искры через вентиляционные отверстия. Это нормально и не повредит ваш инструмент. Если шнур питания поврежден, он должен заменяться изготовителем, его сервисным агентом или лицом с аналогичной квалификацией, чтобы избежать опасности.

ОХРАНА ОКРУЖАЮЩЕЙ СРЕДЫ



Переработка отходов

Машина, ее аксессуары и упаковочные материалы должны быть отсортированы для экологически чистой переработки.

Пластиковые компоненты имеют маркировку для вторичной переработки.

ВЫЯВЛЕНИЕ И УСТРАНЕНИЕ НЕИСПРАВНОСТЕЙ

ПРОБЛЕМА	ВОЗМОЖНАЯ ПРИЧИНА	ВОЗМОЖНОЕ РЕШЕНИЕ
Инструмент не запускается при управлении переключателем вкл./выкл.	Не подключен шнур питания.	Убедитесь, что шнур питания хорошо подключен к исправной розетке.
Плохое качество реза.	Лезвие изношено. Лезвие установлено неправильно. Слишком большая скорость подачи.	Убедитесь в том, что лезвие острое и не поврежденное. Убедитесь, что лезвие установлено правильно. Подавайте инструмент медленнее.
Низкая эффективность работы.	Лезвие изношено. Неправильная установка скорости. Неправильная установка функции маятника	Замените, установив новое лезвие. Отрегулируйте управление переменной скоростью в соответствии с материалом. Отрегулируйте управление функцией маятника в соответствии с материалом.
Лезвие не зажато прочно в держателе лезвия.	Лезвие не полностью вставлено на место.	Извлеките лезвие и установите его на место правильно.

СТРАНА ТЕЛЕФОН ТЕХПОДДЕРЖКИ

Россия 7 (495) 136-83-96



EAC

Импортер: ООО «КВТ Эксперт»

Адрес: Россия, Москва, 119607, проспект Мичуринский, дом 31, корпус 7, помещение 40/2

Телефон: +7 (495) 107-02-72

Электронная почта kvt@kvt-service.ru

Страна производства: КНР

Изготовитель: Позитек Технолоджи (КНР) Ко., Лтд.

Адрес: Номер 18, Донванг Роуд, Сучжоу Индастриал Парк, Цзянсу, КНР

Срок службы изделия: 6 лет

Срок гарантии: 2 года

Дата производства изделия: указана на изделии

Уполномоченное лицо для принятия претензий: ООО «ПОЗИТЕК-ЕВРАЗИЯ»

Адрес: Российская Федерация, 117342, г. Москва, ул. Бутлерова, д. 17, этаж 3 ком 67

Телефон сервисной службы ООО «ПОЗИТЕК-ЕВРАЗИЯ»: +7 (495) 136-83-96

Электронная почта service.ru@positecgroup.com

Kress